


10072000	DATA SHEET	
Valid from: 02.03.2026	EPIC® H-B 16 AG	

Description

- The housing standard.
- Wide choice for all applications.



General Characteristics

Series	H-B 16
Version	Panel mount base
Locking	Double lever
Protection (DIN EN 60529)	IP 65 (latched)
Temperature Range	-40°C to +125°C

Materials and Surfaces

Housing	Aluminium alloy, powder-coated, grey
Lever	Steel, zinc-plated
Sealing	NBR


Approvals

UL File Number	In preparation
----------------	----------------

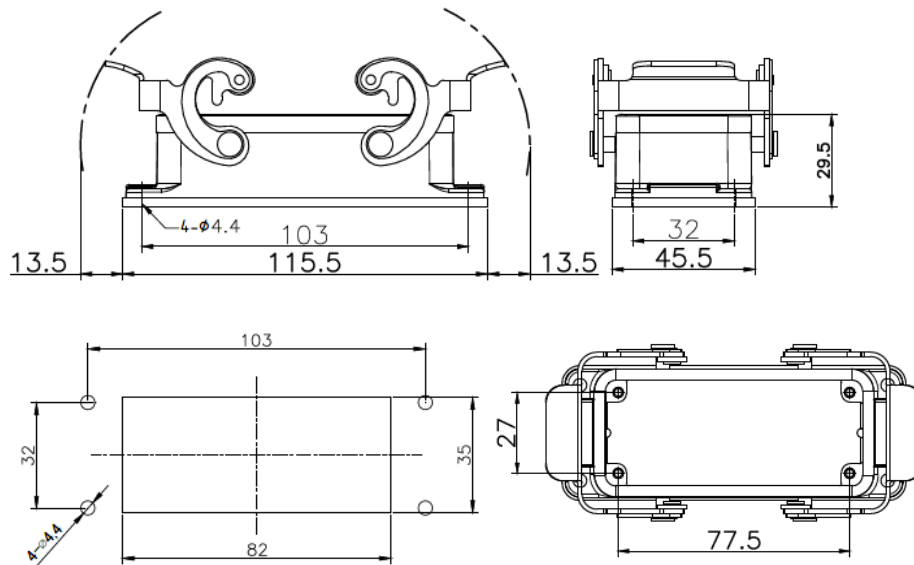
Standard

Safety Standard	IEC 61984
-----------------	-----------

Creator: LEBU1/PDP Released: THBO1/BU EPIC	Document: DB10072000EN Version: 02	Page 1 of 2
---	---------------------------------------	-------------

10072000	DATA SHEET	
Valid from: 02.03.2026	EPIC® H-B 16 AG	

Technical Drawings



Automation



Industrial machinery and plant engineering



Mechanical resistance



Robust



Waterproof

Info

Universal, robust metal housings size H-B 16

Application range

Plant engineering
Light & sound technology
Plastics industry

Remark

Photographs are not to scale and do not represent detailed images of the respective products.

Creator: LEBU1/PDP Released: THBO1/BU EPIC	Document: DB10072000EN Version: 02	Page 2 of 2
---	---------------------------------------	-------------