


10462000	DATA SHEET	
Valid from: 28.05.2026	EPIC® H-A 16 AG-LB	

Description

- These connectors are attractive because of their compact housing.
- Small and compact for applications with high number of contacts



General characteristics

Series	H-A 16
Version	Panel mount base
Locking	single lever
Protection (DIN EN 60529)	IP 65 (latched)
Temperature range	-40°C to +125°C

Materials and surfaces

Housing	Aluminium alloy, powder-coated, grey
Lever	Steel, galvanized
Gasket	NBR


Approvals

UL File Number	In preparation
----------------	----------------

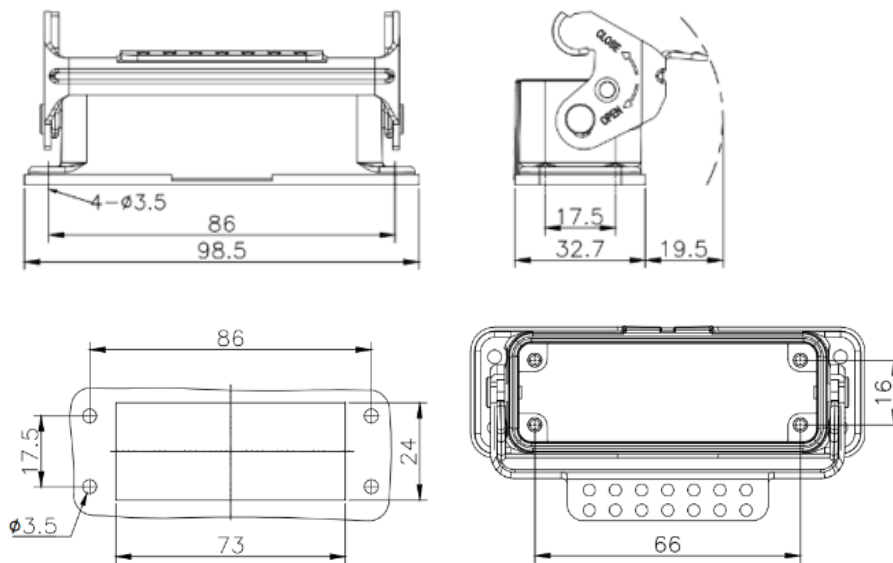
Standards

Safety Standard	IEC 61984, UL1977, CSA 22.2 182.3
-----------------	-----------------------------------

Creator: LEBU1 / PDP Released: THBO1 / PDP	Document: DB10462000EN Version: 03	Page 1 of 3
-----------------------------------------------	---------------------------------------	-------------

10462000	DATA SHEET	
Valid from: 28.05.2026	EPIC® H-A 16 AG-LB	

Technical Drawings



Industrial machinery and plant engineering



Mechanical resistance



Robust



Waterproof


Info

Compact, robust metal housings size H-A 16

Application range

Machine and equipment manufacturing
Control engineering
Electronic laboratory

Creator: LEBU1 / PDP Released: THBO1 / PDP	Document: DB10462000EN Version: 03	Page 2 of 3
-----------------------------------------------	---------------------------------------	-------------

10462000	DATA SHEET	
Valid from: 28.05.2026	EPIC® H-A 16 AG-LB	

Remark

Photographs are not to scale and do not represent detailed images of the respective products.

Creator: LEBU1 / PDP Released: THBO1 / PDP	Document: DB10462000EN Version: 03	Page 3 of 3
-----------------------------------------------	---------------------------------------	-------------