


19121900	<b>DATA SHEET</b>	
Valid from: 17.06.2025	<b>EPIC® H-B 24 TG-RO/TS-RO</b>	

## Description

- The standard for housings. Large selection of different inserts.
- Easy-to-grip, user-friendly design makes it easy to plug and unplug the connector.



## General Characteristics

Series	H-B 24
Locking	pins for single lever
Cable entry	top / side
Protection (DIN EN 60529)	IP 65 (latched)
Protection (NEMA 250, UL50E)	12 (latched)
Temperature Range	-40°C to +125°C

## Materials and Surfaces

Housing	aluminium alloy, powder-coated, grey
---------	--------------------------------------

## Approvals

UL-Approval, E-File-Number	E75770
----------------------------	--------


## Standard

Safety Standard	IEC 61984
-----------------	-----------

## Versions

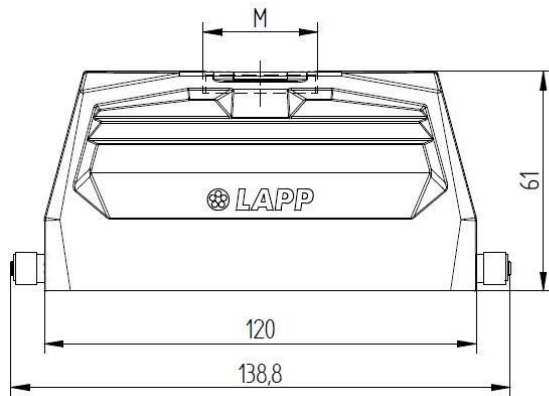
Article number	Article description	Thread M	Cable entry
19121900	EPIC® H-B 24 TG-RO M25	M25x1,5	top
19111900	EPIC® H-B 24 TG-RO M32	M32x1,5	top
19113900	EPIC® H-B 24 TS-RO M25	M25x1,5	side
19123900	EPIC® H-B 24 TS-RO M32	M32x1,5	side

Creator: VACH1/BU EPIC Released: TODV1/BU EPIC	Document: DB19121900EN Version: 02	Page 1 of 2
---	---------------------------------------	-------------

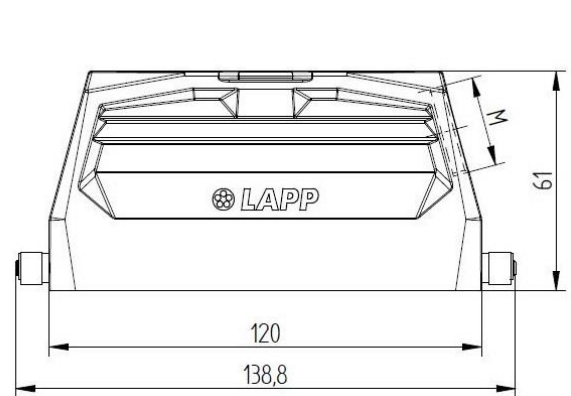
19121900	<b>DATA SHEET</b>	
Valid from: 17.06.2025	<b>EPIC® H-B 24 TG-RO/TS-RO</b>	

### Technical Drawings

Top cable entry



Side cable entry



Industrial machinery and plant engineering



Mechanical resistance



Robust



Waterproof



Automation

#### Info

Universal, robust metal housings size H-B 24

#### Application range

Plant engineering, Light & sound technology, Plastics industry

#### Remark

Photographs are not to scale and do not represent detailed images of the respective products.

Creator: VACH1/BU EPIC Released: TODV1/BU EPIC	Document: DB19121900EN Version: 02	Page 2 of 2
---	---------------------------------------	-------------