

19074000	DATA SHEET	
Valid from: 02.03.2026	EPIC® H-B 16 SGR	

Description

- The housing standard.
- Wide choice for all applications.



General Characteristics

Series	H-B 16
Version	Surface mount base
Cable entry	Side cable entry, see table
Locking	Double lever
Protection (DIN EN 60529)	IP 65 (latched)
Temperature Range	-40°C to +125°C

Materials and Surfaces

Housing	Aluminium alloy, powder-coated, grey
Lever	Stainless steel
Sealing	NBR

Approvals

UL-Approval, E-File-Number	In Preparation
----------------------------	----------------

Standard

Safety Standard	IEC 61984
-----------------	-----------

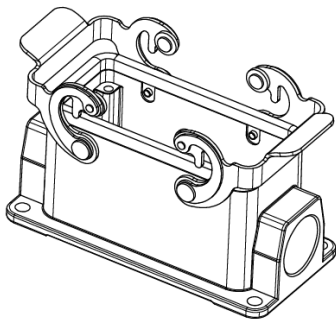
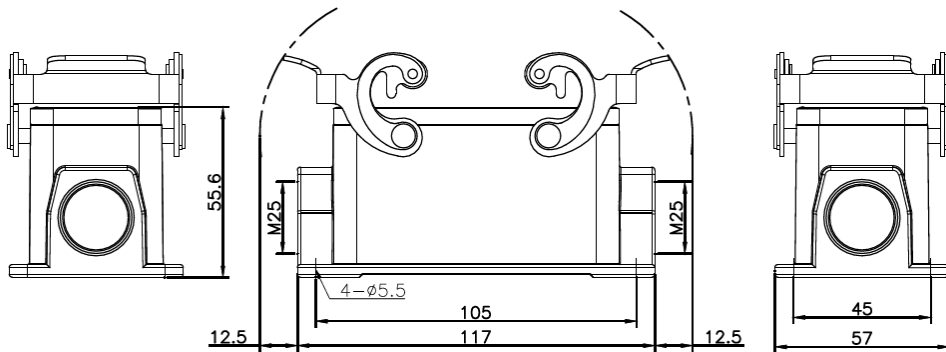
Versions

Article number	Article description	Cable entry (right)	Cable entry (left)
19074000	H-B 16 SGR M25	M25	-
19075000	H-B 16 SGRL M25	M25	M25

Creator: THB01/BU EPIC Released: TODV1/BU EPIC	Document: DB19074000EN Version: 02	Page 1 of 2
---	---------------------------------------	-------------

19074000	DATA SHEET	
Valid from: 02.03.2026	EPIC® H-B 16 SGR	

Technical Drawings



Automation



Industrial machinery and plant engineering



Mechanical resistance



Robust



Waterproof

Info

Universal, robust metal housings size H-B 16

Application range

Plant engineering
Light & sound technology
Plastics industry

Remark

Photographs are not to scale and do not represent detailed images of the respective products.

Creator: THB01/BU EPIC Released: TODV1/BU EPIC	Document: DB19074000EN Version: 02	Page 2 of 2
---	---------------------------------------	-------------