


19565000	DATA SHEET	
Valid from: 23.03.2026	EPIC® H-A 16 TG/TS	

Description

- The standard for housings. Large selection of different inserts.
- Easy-to-grip, user-friendly design makes it easy to plug and unplug the connector.



General Characteristics

Series	H-A 16
Locking	pins for single lever
Cable entry	top / side
Protection (DIN EN 60529)	IP 65 (latched)
Protection (NEMA 250, UL50E)	4, 12 (latched)
Temperature Range	-40°C to +125°C

Materials and Surfaces

Housing	aluminium alloy, powder-coated, grey
Gasket	NBR

Approvals

UL-Approval, E-File-Number	E75770
----------------------------	--------


Standard

Safety Standard	IEC 61984
-----------------	-----------

Versions

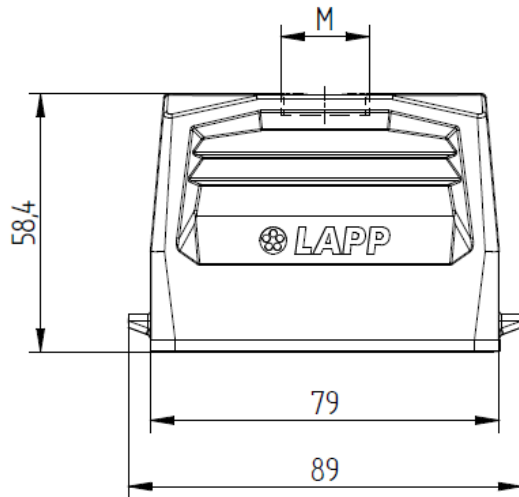
Article number	Article description	Thread M	Cable entry
19565000	EPIC® H-A 16 TG M20	M20x1,5	top
19565300	EPIC® H-A 16 TG M25	M25x1,5	top
19564000	EPIC® H-A 16 TS M20	M20x1,5	side
19564600	EPIC® H-A 16 TS M25	M25x1,5	side

Creator: TODV1/BU EPIC Released: THBO1/BU EPIC	Document: DB19565000EN Version: 02	Page 1 of 2
---	---------------------------------------	-------------

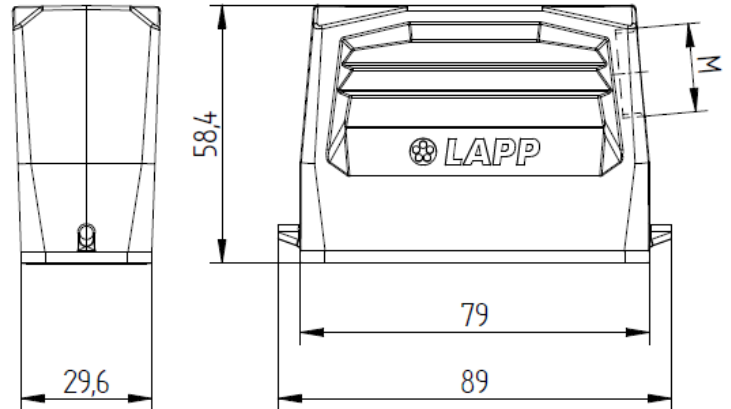
19565000	DATA SHEET	
Valid from: 23.03.2026	EPIC® H-A 16 TG/TS	

Technical Drawings

Top cable entry



Side cable entry



Industrial machinery and plant engineering



Mechanical resistance



Robust



Waterproof



Automation

Info

Universal, robust metal housings size H-A 16

Application range

Plant engineering, Light & sound technology, Plastics industry

Remark

Photographs are not to scale and do not represent detailed images of the respective products.

Creator: TODV1/BU EPIC Released: THBO1/BU EPIC	Document: DB19565000EN Version: 02	Page 2 of 2
---	---------------------------------------	-------------