

Technical data sheet

Service outlet with hinged cover and locking slider, GES R2, old copper
Item number: 7408854



Service outlet with hinged cover and locking slider for GES R2 floor socket for direct installation in the MT R2 installation socket.

When closed, the floor socket can be wet-cleaned.



- Zn** Die-cast zinc
- Cu** Copper-plated

Master data

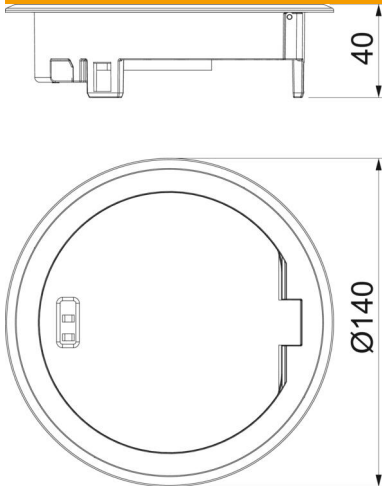
Item number	7408854
Type	GES R2 Cu
Description 1	Floor socket
Description 2	with hinged cover
Manufacturer	OBO
Material	Die-cast zinc
Surface	Copper-plated
Surface standard	
Smallest sales unit	1
Unit of quantity	Piece
Weight	6.393 kg
Weight unit	kg/100 pc.
CO2 Footprint (GWP) Cradle-to-Gate	0,5215 kg CO2e / 1 Piece

Technical data sheet

Service outlet with hinged cover and locking slider, GES
R2, old copper
Item number: 7408854



Dimensions



Technical data

Version for	Round
Cable outlet version	Swivellable cord outlet
Floor covering protection frame	yes
Floor care	Wet
Suitable for raised floor installation	yes
Suitable for cavity floor installation	yes
Suitable for wet care	yes
Suitable for underfloor ducts	no
With floor covering recess	no
Standard	EN 50085-2-2
Protection rating (IP) when used	IP20
Protection rating (IP) when unused	IP66
Protection rating IK code	IK10
Vertical load, large area	to 15,000 N
Vertical load, small area	to 3,000 N
Approvals	VDE
Opening mechanism	Locking slider