

Technical data sheet

Service outlet with blanking cover and Allen slot, GES R2,
chrome

Item number: 7408876



Service outlet with blanking cover and Allen slot for GES R2 floor socket for direct installation in the MT R2 installation socket in indoor areas.

The cover version can be used as a cable outlet.

When closed, the floor socket can be wet-cleaned.



Zn Die-cast zinc

Chrome-plated

Master data

Item number	7408876
Type	GES R2B Cr
Description 1	Floor socket
Description 2	blind with Allen key recess
Manufacturer	OBO
Material	Die-cast zinc
Surface	Chrome-plated
Surface standard	
Smallest sales unit	1
Unit of quantity	Piece
Weight	58.32 kg
Weight unit	kg/100 pc.
CO2 Footprint (GWP) Cradle-to-Gate	0,2076 kg CO2e / 1 Piece

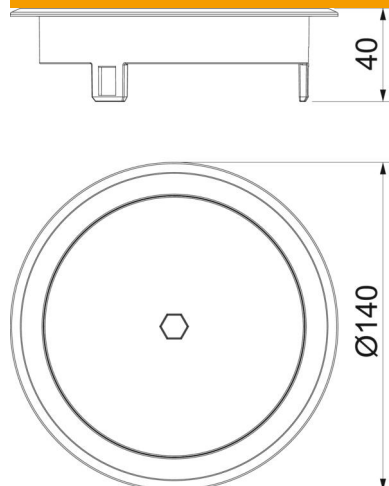
Technical data sheet

Service outlet with blanking cover and Allen slot, GES R2, chrome

Item number: 7408876



Dimensions



Technical data

Version for	Round
Cable outlet version	No cable outlet
Floor covering protection frame	yes
Floor care	Wet
Suitable for raised floor installation	yes
Suitable for cavity floor installation	yes
Suitable for wet care	yes
Suitable for underfloor ducts	no
With floor covering recess	no
Standard	EN 50085-2-2
Protection rating (IP) when unused	IP66
Protection rating IK code	IK10
Vertical load, large area	to 15,000 N
Vertical load, small area	to 3,000 N
Approvals	VDE
Opening mechanism	Tool