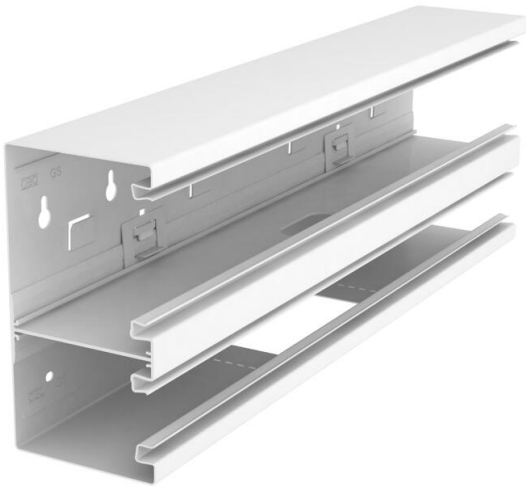


Technical data sheet

T piece, asymmetrical, double, for device installation trunking Rapid 80 type GS-D90170
Item number: 6278360



T piece suitable for direct wall mounting.



St Steel

Master data

Item number	6278360
Type	GS-DT90170RW
Description 1	T piece
Description 2	asymmetrical
Manufacturer	OBO
Dimension	90x170x500
Colour	Pure white; RAL 9010
Material	Steel
Smallest sales unit	1
Unit of quantity	Piece
Weight	207 kg
Weight unit	kg/100 pc.
CO2 Footprint (GWP) Cradle-to-Gate	10,9107 kg CO2e / 1 Piece

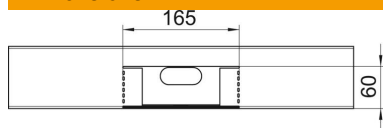
Technical data sheet

T piece, asymmetrical, double, for device installation trunking Rapid 80 type GS-D90170

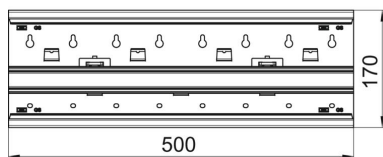
Item number: 6278360



Dimensions



Length	500 mm
Width	170 mm
Height	90 mm



Technical data

Number of covers	2
Version for	Base
for duct width	170 mm
for trunking height	90 mm
Halogen-free	yes
Cable retaining clip	no
Duct connector	no
Cover mounting type	Internal
Mounting perforation in base	yes
Cover width	76.5 mm
Cover width 2	45 mm
Protection rating	IP30
Protective film	yes
Protection rating IK code	IK10
Symmetrical	no
Permitted temperature range, max.	60 °C
Permitted temperature range, min.	-25 °C