

# Technical data sheet

External corner, symmetrical, for device installation trunking Rapid 80 type GS-S70110

Item number: 6277010



External corner for changing the direction of the GS device installation trunking.



St Steel

## Master data

Item number	6277010
Type	GS-SA70110RW
Description 1	External corner
Description 2	symmetrical
Manufacturer	OBO
Dimension	70x110x300
Colour	Pure white; RAL 9010
Material	Steel
Smallest sales unit	1
Unit of quantity	Piece
Weight	172 kg
Weight unit	kg/100 pc.
CO2 Footprint (GWP) Cradle-to-Gate	5,4808 kg CO2e / 1 Piece

# Technical data sheet

External corner, symmetrical, for device installation trunking Rapid 80 type GS-S70110

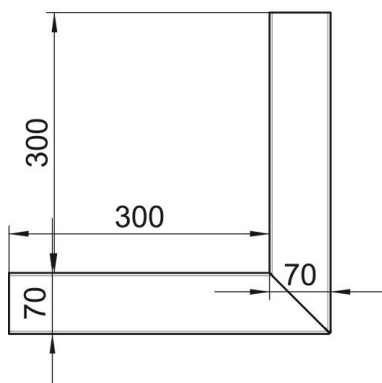
Item number: 6277010



## Dimensions



Length	300 mm
Width	110 mm
Height	70 mm



## Technical data

Number of covers	1
Version for	Base
for duct width	110 mm
for trunking height	70 mm
Halogen-free	yes
Cable retaining clip	no
Duct connector	no
Cover mounting type	Internal
Mounting perforation in base	yes
Cover width	76.5 mm
Protection rating	IP30
Protective film	yes
Protection rating IK code	IK10
Symmetrical	yes
Permitted temperature range, max.	60 °C
Permitted temperature range, min.	-25 °C
Angle range, min.	90 mm