

# Technical data sheet

## MS4121 mounting rail, slot 22 mm, FS, perforated

Item number: 1122959



Heavy-duty C profile rail for individual installation of support constructions, e.g. for cable trays or as a panel for switchgear cabinets. Can also be used for cable routing, in conjunction with clamp clips with a U foot.



**St** Steel

**FS** Strip galvanized

### Master data

Item number	1122959
Type	MS4121P0900FS
Description 1	Profile rail
Description 2	perforated, slot 22mm
Manufacturer	OBO
Dimension	900x41x21
Material	Steel
Surface	Strip galvanized
Surface standard	DIN EN 10346
Smallest sales unit	1
Unit of quantity	Piece
Weight	126.8 kg
Weight unit	kg/100 pc.
CO2 Footprint (GWP) Cradle-to-Gate	3,1593 kg CO2e / 1 Piece

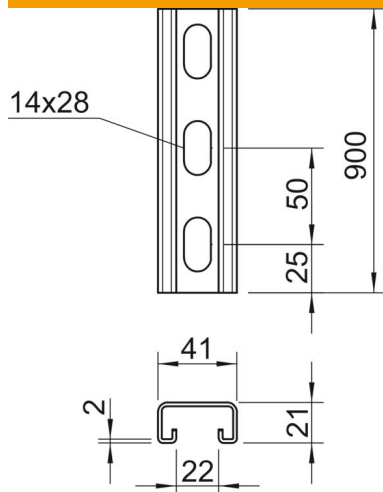
# Technical data sheet

MS4121 mounting rail, slot 22 mm, FS, perforated

Item number: 1122959



## Dimensions



Length	900 mm
Width	41 mm
Height	21 mm
Dimension L	900 mm

## Technical data

Breakable	no
Type of perforation	Perforated back
Version for	Single profile
Drill hole spacing, centre	50 mm
Maintain electrical functions	yes
Material thickness	2 mm
With perforation	yes
With tothing	yes
Profile shape	C profile
Slot width	22 mm
Static value A	1.65 cm <sup>2</sup>
Static value I <sub>y</sub>	0.95 cm <sup>4</sup>
Static value I <sub>z</sub>	4.51 cm <sup>4</sup>
Static value W <sub>y</sub>	0.89 cm <sup>3</sup>
Static value W <sub>z</sub>	2.2 cm <sup>3</sup>