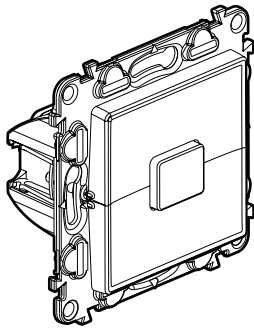
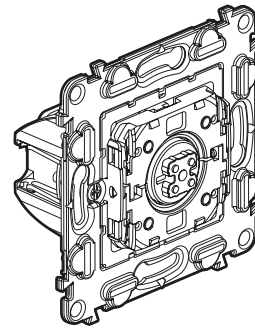


**Valena™ Life - Valena™ INMATIC**  
**Control for opening**

**Cat. No(s): 7 520 29 - 7 521 29 - 7 522 29 - 7 523 29**  
**7 520 30 - 7 521 30 - 7 522 30 - 7 523 30**  
**7 521 20 - 7 522 20 - 7 523 20 - 7 563 29/30**



7 521 29/30



7 520 29/30

**1. USE**

Control mechanisms for roller shutters, blinds and awnings.  
 Mechanisms supplied with protection cover.  
 To be equipped with plates.  
 Flush-mounting or surface-mounting.  
 Screw or claw fixing.

**2. RANGE**

**Roller blind switch**

7 521 29	<input type="checkbox"/> White
7 522 29	<input type="checkbox"/> Ivory
7 523 29	<input type="checkbox"/> Aluminium
7 563 29	<input type="checkbox"/> Black

7 520 29	Mechanism only
----------	----------------

**Roller blind push-button**

7 521 30	<input type="checkbox"/> White
7 522 30	<input type="checkbox"/> Ivory
7 523 30	<input type="checkbox"/> Aluminium
7 523 30	<input type="checkbox"/> Black

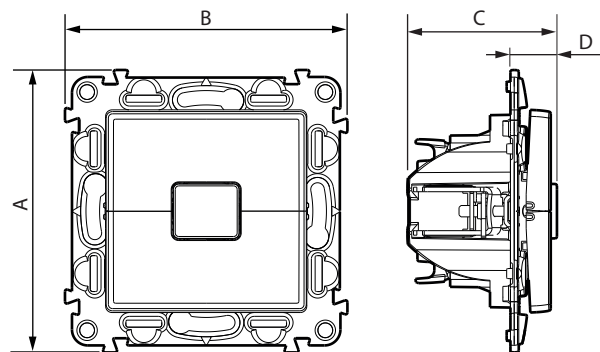
7 520 30	Mechanism only
----------	----------------

**Roller blind push-button direct control of the motor**

7 521 20	<input type="checkbox"/> White
7 522 20	<input type="checkbox"/> Ivory
7 523 20	<input type="checkbox"/> Aluminium

7 520 20	Mechanism only
----------	----------------

**3. DIMENSIONS (mm)**

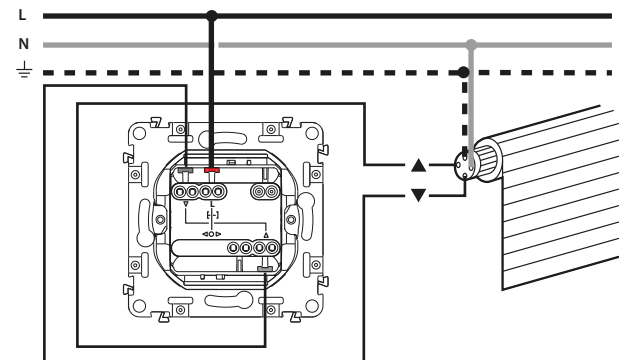


Cat. No(s)	A	B	C	D
7 520 20/29/30	75	75	38	11
7 521 20/29/30 - 7 522 20/29/30 - 7 523 20/29/30 7 563 29/30	75	75	39	12

**4. CONNECTION**

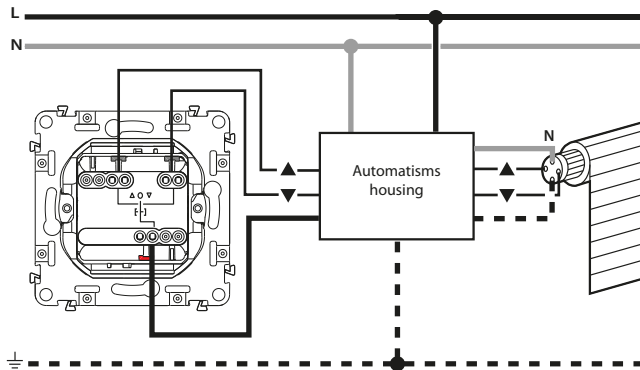
Type of terminals: automatic  
 Terminal capacity: 2 x 2.5 mm<sup>2</sup>  
 Stripping length: 13 mm  
 Flexible or rigid cables compatible

**4.1 Switch wiring (7 52x 29 - 7 563 29)**

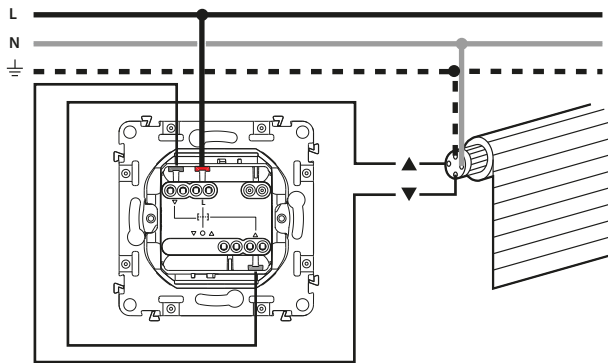


#### 4. CONNECTION (continued)

##### ■ 4.2 Push-button wiring (7 52x 30 - 7 563 30)



##### ■ 4.3 Push-button wiring (7 52x 20)



#### 5. TECHNICAL CHARACTERISTICS

##### ■ 5.1 Mechanical characteristics

Protection against solid bodies and liquids: IP 20  
 Protection against impact: IK 04

##### ■ 5.2 Material characteristics

Polygloss appearance  
 Colour: - White RAL 9003  
 - Ivory RAL 1013  
 - Aluminium

Material: - Rocker: ABS  
 - Mechanism housing: PC  
 - Halogen-free  
 - UV-resistant

Material of the support: - PC grey RAL 7037 + Metal  
 - Halogen-free

Self-extinguishing:  
 850°C/30 s for insulating components holding live parts in place  
 650°C/30 s for other insulating components

##### ■ 5.3 Electrical characteristics

Voltage: 250 V~

Current: 6 A

6 AX for Cat. Nos 7 52x 29

Max. power for self-ballasted lamps: 100 W

Frequency: 50/60 Hz

##### ■ 5.4 Climate characteristics

Usage temperature: - 5°C to + 35°C

Storage temperature: - 10°C to + 70°C

#### 6. MAINTENANCE

Surface cleaning with a cloth.

Do not use: acetone, tar remover, trichloroethylene.

Maintenance with the following products: Hexane (EN 60669-1), Methylated spirit, Soapy water, Diluted ammonia, Bleach diluted to 10%, Window-cleaning products.

**Caution:** Always test before using other special cleaning products.

#### 7. STANDARDS AND APPROVALS

Compliant with installation and manufacturing standards.  
 See e. catalogue.