

DLP-S Mini-Trunking

Cat. no(s) : 6 381 00 to 07, 6 381 09 to 17, 6 381 19 to 27,
 6 381 29 to 37, 6 381 39 to 47, 6 381 49 to 57,
 6 381 59 to 66, 6 381 68, 6 381 70 to 76, 6 381 80 to 86



1. USE

Mini-trunking offers:

- the distribution, the protection and the derivation of various cables in an electrical installation.

- mini-trunkings, finishing accessories (end, cover joint, interior angle, exterior angle, flat angle, derivation)

- all the easy ways/advantages for the installation.

- comply with the standard EN 50085-2-1, safety and technical performance.

- a flexibility with the installation and maintenance:

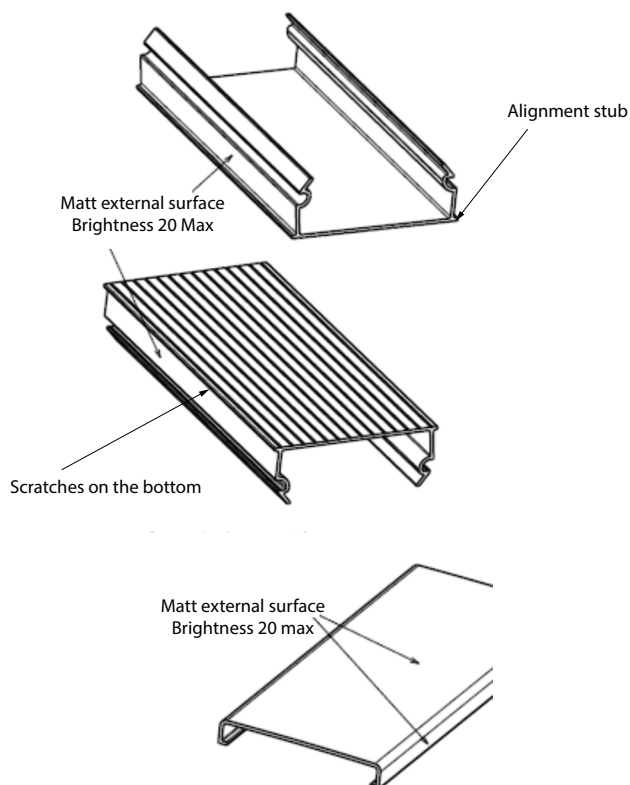
. without central partition



. with central partition



Available in length of 2m
 White color



2. RANGE

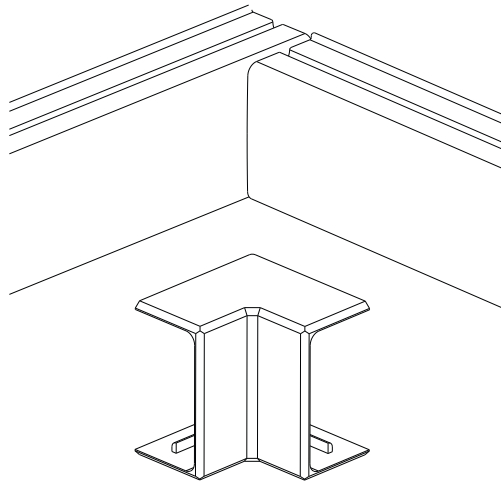
■ 2.1 Mini-trunkings with or without adhesive

Size	Shape	Cat. Nos	
		without adhesive	with adhesive
15x10		6 381 00	6 381 09
20x12		6 381 20	6 381 29
24x14		6 381 30	6 381 39
16x16		6 381 10	6 381 19
32x16		6 381 40	6 381 49
40x16		6 381 50	6 381 59
50x20		6 381 60	-
		6 381 68	-
60x20		6 381 70	-
40x40		6 381 80	-

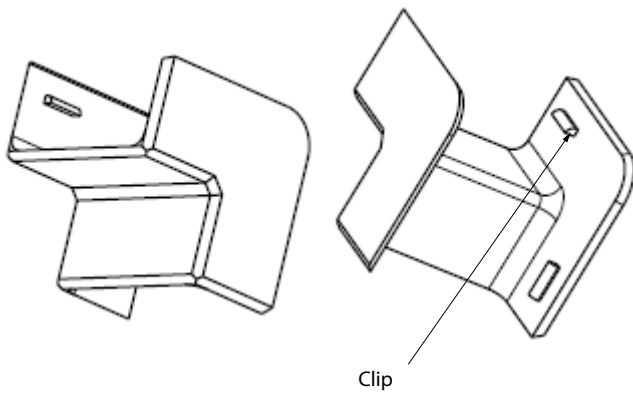
2. RANGE (cont.)

2.2 Accessories

2.2.1 Internal angle



- avoid the cut of miter on the mini-trunking
- respect of the degree protection
- aesthetics improves; round edges (covering of the cut and not or little extra thickness)



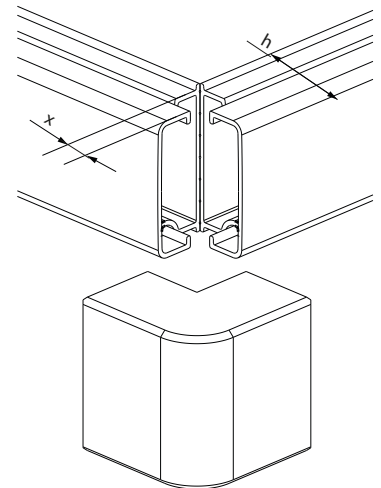
Assembly on the body by clip-on
Fixed internal angles (90°)
White color

Cat. Nos	Size
6 381 01	15x10
6 381 21	20x12
6 381 31	24x14
6 381 11	16x16
6 381 41	32x16
6 381 51	40x16
6 381 61	50x20
6 381 71	60x20
6 381 81	40x40

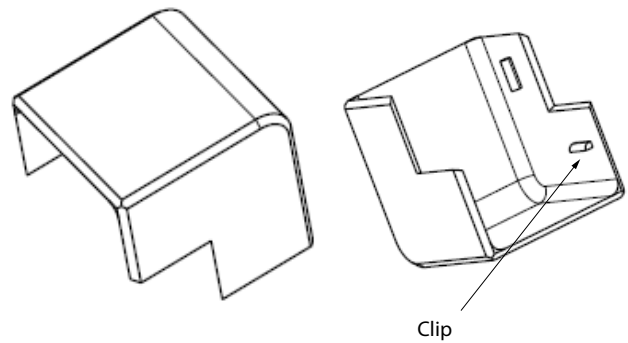
2. RANGE (cont.)

2.2.2 External angle

h (mm)	x (mm)
h<13	3
h>13	7



- avoid the cut of miter on the mini-trunking
- respect of the degree protection
- aesthetics improves; round edges (covering of the cut and not or little extra thickness)

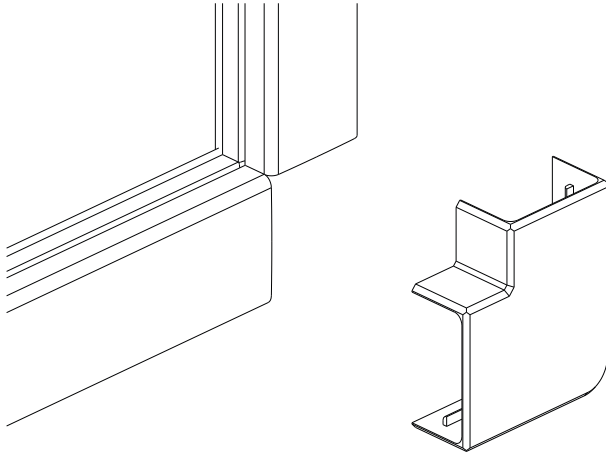


Assembly on the body by clip-on
Fixed external angles (90°)
White color

Cat. Nos	Size
6 381 02	15x10
6 381 22	20x12
6 381 32	24x14
6 381 12	16x16
6 381 42	32x16
6 381 52	40x16
6 381 62	50x20
6 381 72	60x20
6 381 82	40x40

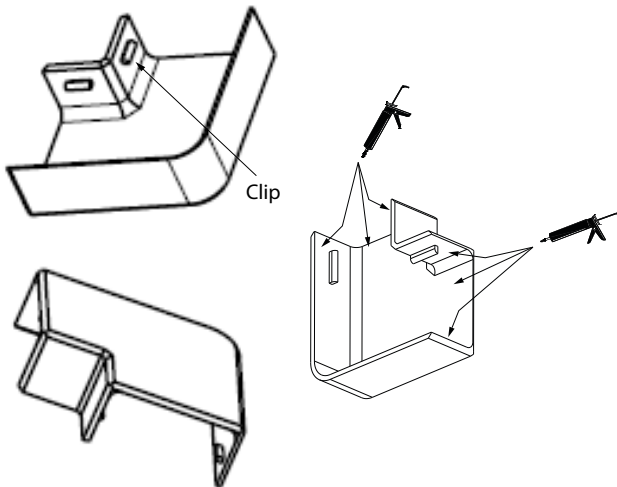
2. RANGE (cont.)

2.2.3 Flat angle



The junction in flat angle of two same sections allows:

- avoid the cut of miter on the trunking
- respect of the degree protection
- aesthetics improves; round edges (covering of the cut and not or little extra thickness)

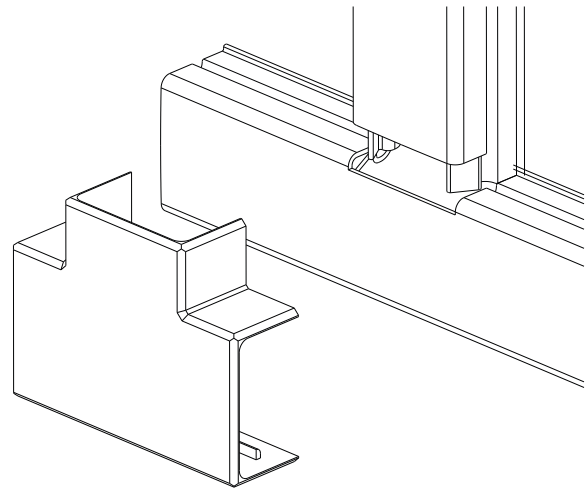


Add glue cat. no 0 309 49 on flat angle and assembly on the body by clip-on
Fixed flat angles (90°)

Cat. Nos	Size
6 381 03	15x10
6 381 23	20x12
6 381 33	24x14
6 381 13	16x16
6 381 43	32x16
6 381 53	40x16
6 381 63	50x20
6 381 73	60x20
6 381 83	40x40

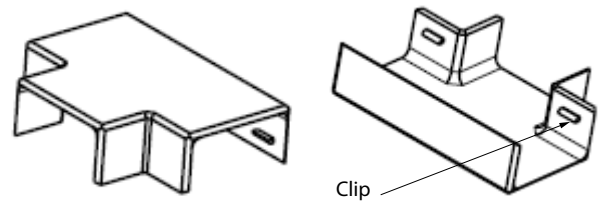
2. RANGE (cont.)

2.2.4 Flat T junction



The junction in "T" allows.

- respect of the degree protection
- aesthetics (covering of the cut) improves

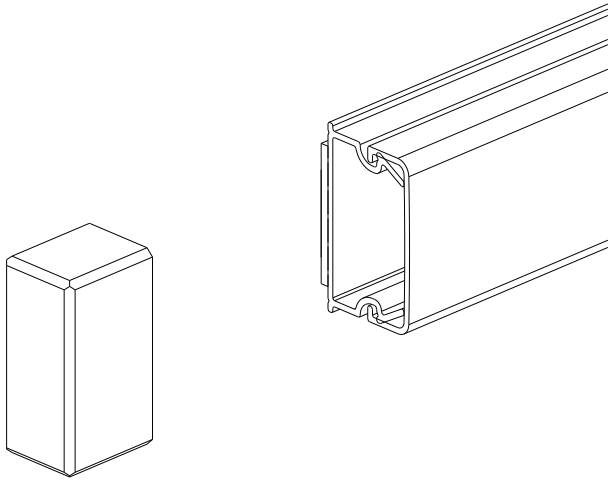


Assembly on the body by clip-on
White color

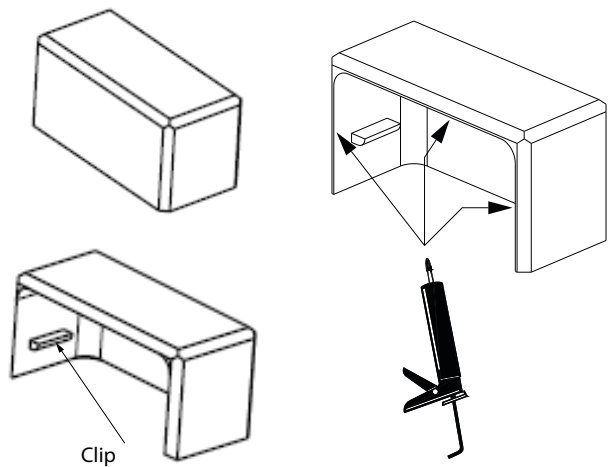
Cat. Nos	Size
6 381 04	15x10
6 381 24	20x12
6 381 34	24x14
6 381 14	16x16
6 381 44	32x16
6 381 54	40x16
6 381 64	50x20
6 381 74	60x20
6 381 84	40x40

2. RANGE (cont.)

2.2.5 End cap



Allows to block the end of the body:
- respect of the protection degree
- improvement of aesthetics (covering of the cut)
- left or right end cap

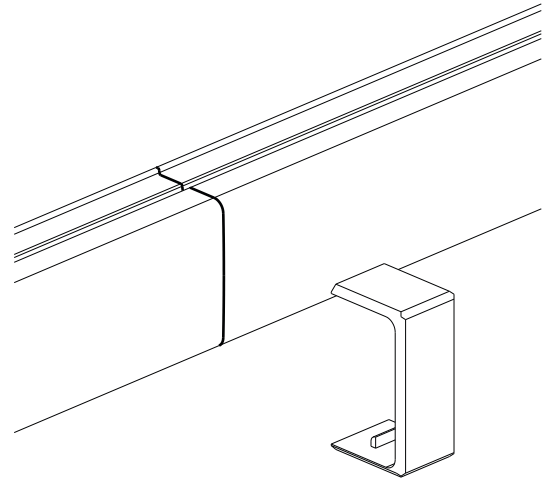


Add glue cat. no 0 309 49 inside the end cap and clip it on the body
White color

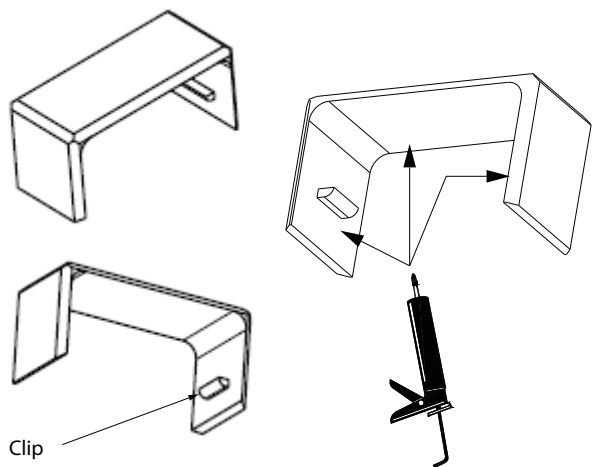
Cat. Nos	Size
6 381 05	15x10
6 381 25	20x12
6 381 35	24x14
6 381 15	16x16
6 381 45	32x16
6 381 55	40x16
6 381 65	50x20
6 381 75	60x20
6 381 85	40x40

2. RANGE (cont.)

2.2.6 Cover joint



Allows:
- the junction end to end of two covers
- respect of the degree protection
- to improve aesthetics (covering of the cut)

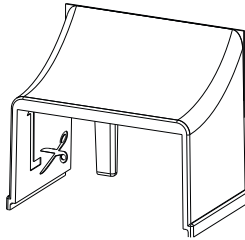


Add glue cat. no 0 309 49 inside the cover joint and assembly it on the body by clipping
White color

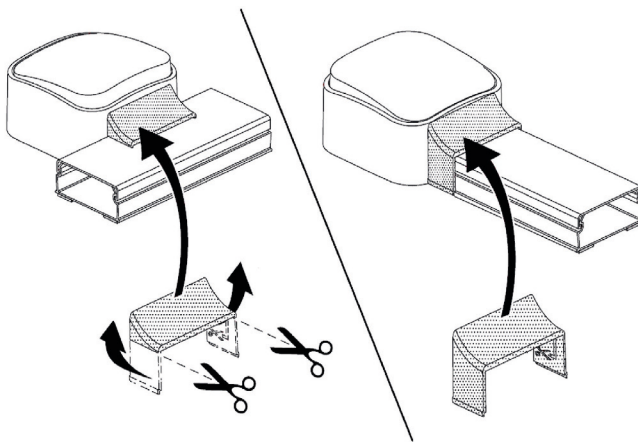
Cat. Nos	Size
6 381 06	15x10
6 381 26	20x12
6 381 36	24x14
6 381 16	16x16
6 381 46	32x16
6 381 56	40x16
6 381 66	50x20
6 381 76	60x20
6 381 86	40x40

2. RANGE (cont.)

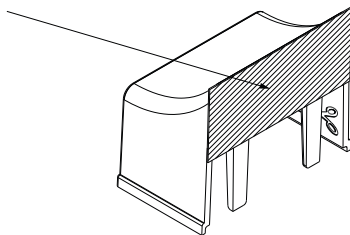
2.2.7 Adaptor



- put it on the frame of the wiring devices



- fix it by removing the sticker



- respect of the protection degree
- improvement of aesthetics (covering of the junction between the frame for the wiring devices and the minitrunking)

White color

Cat. Nos	Size
6 381 07	15x10
6 381 27	20x12
6 381 37	24x14
6 381 17	16x16
6 381 47	32x16
6 381 57	40x16

3. TECHNICAL CHARACTERISTICS

Wiring capacity: Conductors types HO7V-K (standard HD 21.3 S3)

Nb compartments	Dimensions	Compartment n°	Section max in mm ²	1,5 mm ²	2,5 mm ²	4 mm ²	6 mm ²	UTP/FTP CAT. 6
1 comp.	15x10	1	79	4	3	3	2	1
	16x16		176	10	7	6	5	3
	20x12		164	9	7	6	4	3
	24x14		249	15	11	9	7	4
	32x16		395	23	17	15	11	7
	40x16		510	30	22	20	14	10
	40x40		1337	81	60	52	38	26
	50x20		831	50	37	32	24	16
	60x40		2127	128	95	83	61	42
2 comp.	40x16	1	249	15	11	9	7	4
		2	249	15	11	9	7	4
	50x20	1	406	24	18	16	11	8
		2	406	24	18	16	11	8
3 comp.	60x20	1	312	18	14	12	9	6
		2	308	18	13	12	8	6
		3	312	18	14	12	9	6

Wiring capacity: Cables 3x1.5 or 3x2.5mm²

Nb compartments	Dimensions	Compartment n°	Section max in mm ²	Ø max	3x1,5 mm ²	3x2,5 mm ²
1 comp.	15x10	1	79	8	1	0
	16x16		176	10,5	3	2
	20x12		164	10	2	1
	24x14		249	12	4	2
	32x16		395	14	7	4
	40x16		510	14	9	5
	40x40		1337	37	24	15
	50x20		831	18	15	9
	60x40		2127	37	38	24
2 comp.	40x16	1	249	14	4	2
		2	249	14	4	2
	50x20	1	406	18	7	4
		2	406	18	7	4
3 comp.	60x20	1	312	16	5	3
		2	308	17	5	3
		3	312	16	5	3

3. TECHNICAL CHARACTERISTICS *(cont.)*

Classification of mini-trunking EN 50085-2-1

6.2 Resistance to impact for installation and application	1J
6.3 Minimum storage and transport temperature	- 25°C
6.3 Minimum installation and application temperature	+ 15°C
6.3 Maximum application temperature	+ 60°C
6.4 Resistance to flame propagation	Non-flame propagating
6.5 Electrical continuity characteristic	Without electrical continuity characteristic
6.6 Electrical insulating characteristic	With electrical insulating characteristic
6.7 Degrees of protection provided by enclosure	IP40
6.9 The system access cover retention	With a tool
6.101 The position when surface mounted	Wall fixed
Celling fixed	Celling fixed
6.102 The functions provided	Type 1
Rated voltage	500 V
Protection against mechanical shocks	IK 06

Compositions and functions of mini-trunking systems (1 system per line) EN 50085-2-1 :

Mini-trunkings			End cap
Body+cover	Cat. Nos	Section (mm ²)	
15x10	6 381 00	79	6 381 05
16x16	6 381 10	176	6 381 15
20x12	6 381 20	164	6 381 25
24x14	6 381 30	249	6 381 35
32x16	6 381 40	395	6 381 45
40x16	6 381 50	510	6 381 55
40x40	6 381 80	1337	6 381 85
50x20	6 381 60	831	6 381 65
50x20 2 compartments	6 381 68	406/406	
60x20 3 compartments	6 381 70	312/308/312	6 381 75

4. MATERIAL CHARACTERISTICS

The mini-trunkings are in PVC white RAL 9003

The accessories are in plastic ABS material white RAL 9003